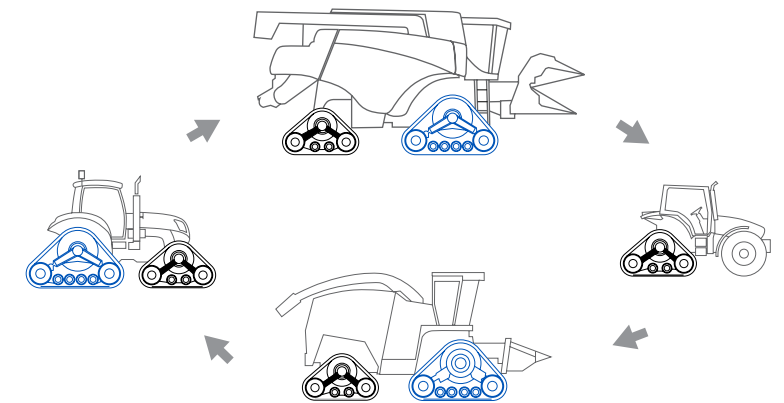


# CONVERSION TRACK SYSTEMS



## ON ANY GROUND ON ANY EQUIPMENT

The Camso conversion track system increases your machine's mobility and flotation for better access to fields with soft ground conditions. Its large footprint reduces ground compaction, minimizes field damage, and increases stability, maximizing the overall efficiency and quality of your work. Flexible and adaptable like no other, it can be used on different machine models and applications.



**THE CAMSO CONVERSION TRACK SYSTEM IS  
ENGINEERED FOR THE TOUGHEST CONDITIONS  
AND REDUCES GROUND PRESSURE BY OVER 65%.**



# COMBINE APPLICATIONS

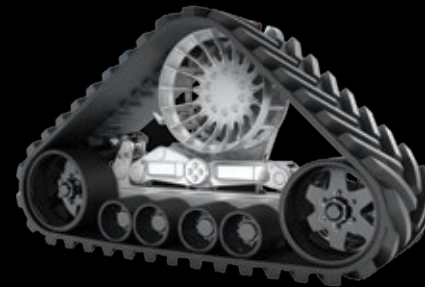


# CONVERSION TRACK SYSTEM FOR COMBINES

**NEW** CAMSO CTS HIGH SPEED

Faster roading speeds, more performance

The industry's first 100% bolt-on track system for combines with an integrated final drive system to achieve similar roading speeds to wheeled combines.



PERFORMANCE SPEED



FLOTATION



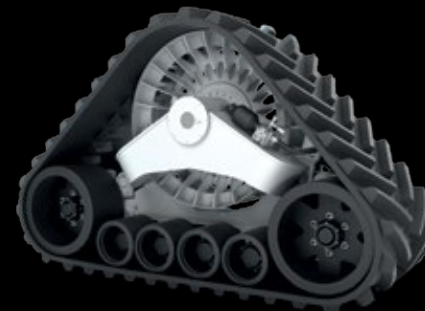
RIDE QUALITY



CAMSO CTS SUSPENDED

Field ready when you're ready

Designed to improve ride quality and achieve maximum ground contact.



PERFORMANCE SPEED



FLOTATION



RIDE QUALITY



CAMSO CTS STANDARD

More access to fields for maximum yields

Designed to increase field access and stability in soft ground conditions.



PERFORMANCE SPEED



FLOTATION



RIDE QUALITY





NEW

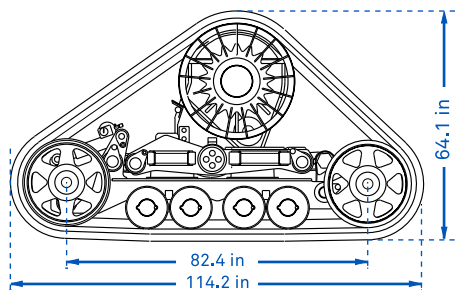
# CTS HIGH SPEED

## Faster roading speeds, more performance

Field ready when you're ready. The new CTS is the industry's first 100% bolt-on track system for combines with an integrated final drive system to achieve similar roading speeds to wheeled combines. Get into your field faster than ever before.

### 36Q17MK JD 264

Track width	36"
Track system height	64.1"
Track system length	114.2"
Flat plate area per pair (in <sup>2</sup> )	5,936



## NEW Integrated final drive

Allows the combine to achieve speeds of up to 23 mph

- Matches the right gear ratio to achieve speeds similar to wheeled combines

## Hydraulic tensioning system

Maximizes tractive performance and keeps sprocket and lug at optimum contact to extend track life

- Hydraulic tensioning system with nitrogen-charged accumulator

## Suspension

Improves ground contact on uneven terrain, which helps transfer power to the ground

- Improves machine stability and header placement
- Patented double oscillating bogie wheels

## Main frame

Resulting in smoother ride and less wear on equipment and operator

- Suspended upper and lower frame design with polyurethane isolation

## Wheels

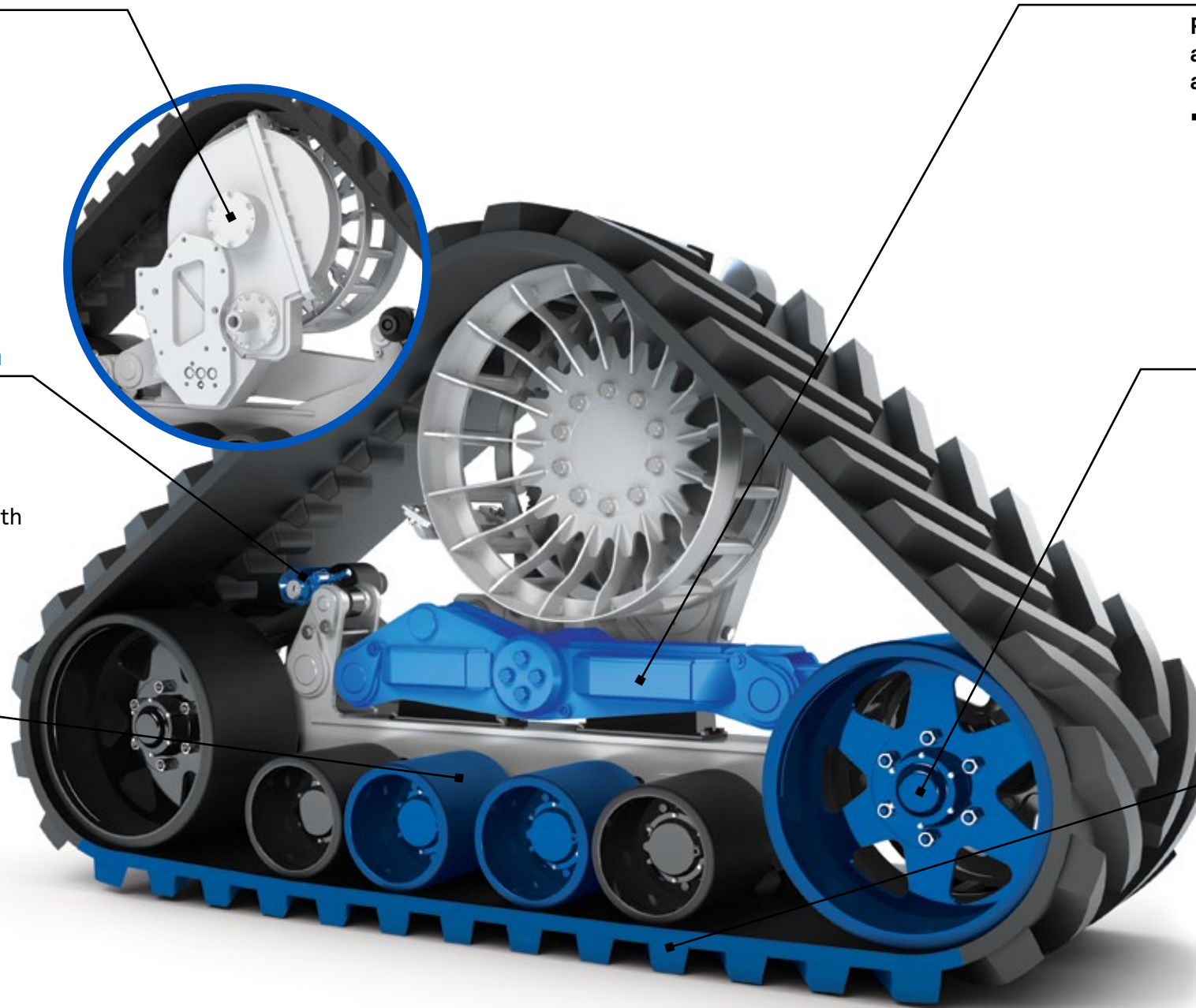
Simplifies maintenance operations

- Heavy-duty wheel hubs with oil bath lubrication
- No greasing or repacking of bearings

## Track

Larger footprint that offers over 70% reduction in ground pressure

- Increases mobility on soft ground conditions



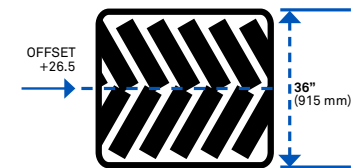
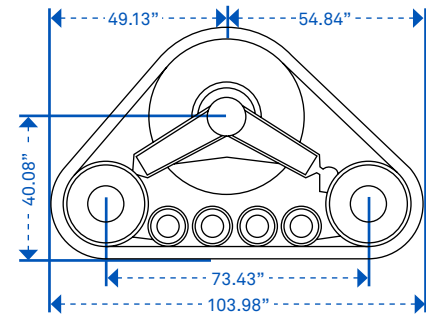
# CTS SUSPENDED

## Field ready when you're ready

Designed to increase field access, stability and ride comfort. The best choice for combines facing the toughest conditions.

### 36Q23MA

Track width	36"
Track system height	65"
Track system length	104"
Flat plate area per pair (in <sup>2</sup> )	5,285



36" wide track

## Main frame

Resulting in smoother ride and less wear on equipment and operators

- Suspended upper and lower frame design with rubber isolation

*Only applicable for CTS High Speed and CTS Suspended*

## Suspension

Improves ground contact on uneven terrain, which helps transfer power to the ground

- Improves machine stability and header placement
- Patented double oscillating bogie wheels

*Only applicable for CTS High Speed and CTS Suspended*



## OPTIONAL SPEED MULTIPLIER

Optional on 36Q track systems

- 30% faster roading speed out of your CTS
- Heavy duty gear box design
- 100% bolt-on feature that mounts between track system and final drive

## Hydraulic tensioning system

Maximizes tractive performance and keeps sprocket and lug at optimum contact to extend track life

- Hydraulic tensioning system with nitrogen-charged accumulator

## Wheels

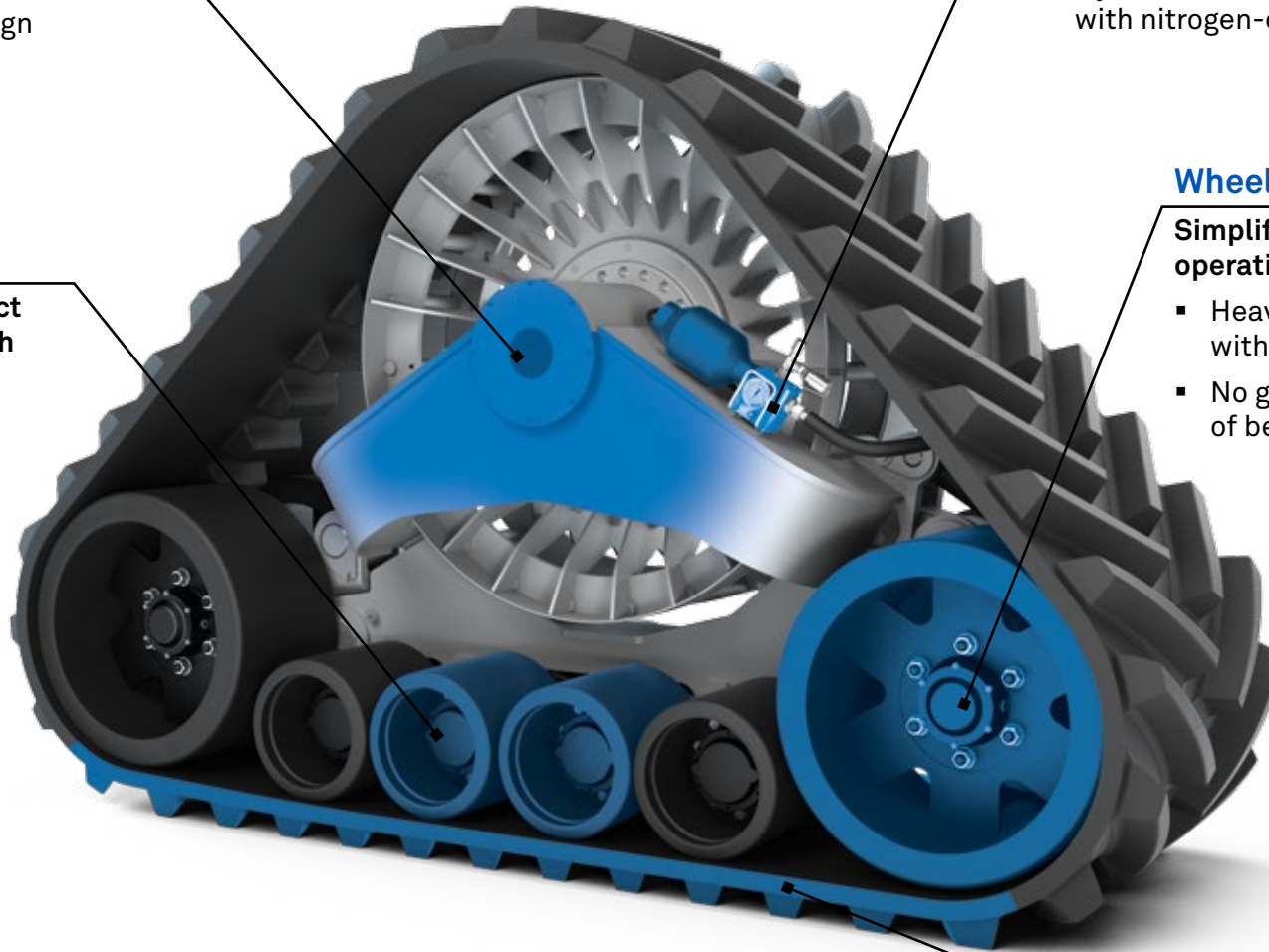
Simplifies maintenance operations

- Heavy-duty wheels hubs with oil bath lubrication
- No greasing or repacking of bearings

## Track

Large footprint that offers over 65% reduction in ground pressure

- Increases mobility on soft ground conditions



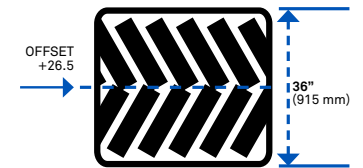
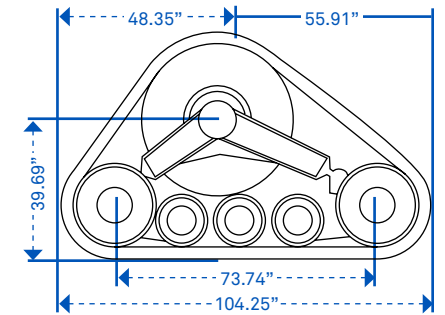
# CTS STANDARD

More access to fields for maximum yields

Designed to increase field access and stability in soft ground conditions.

### 36T23A

Track width	36"
Track system height	64.6"
Track system length	104.3"
Flat plate area per pair (in <sup>2</sup> )	5,309



36" wide track